

Thank you for your purchase! At MSW® we believe that having essential accessories makes a good ride great—whether on the showroom floor, your basement shop, or in your garage, we hope this Universal Display Stand keeps your fleet stable and organized until that next great ride.

⚠ WARNING: CYCLING CAN BE DANGEROUS. BICYCLE PRODUCTS SHOULD BE INSTALLED AND SERVICED BY A PROFESSIONAL MECHANIC. NEVER MODIFY YOUR BICYCLE OR ACCESSORIES. READ AND FOLLOW ALL PRODUCT INSTRUCTIONS AND WARNINGS INCLUDING INFORMATION ON THE MANUFACTURER'S WEBSITE. INSPECT YOUR BICYCLE BEFORE EVERY RIDE. ALWAYS WEAR A HELMET.

For additional product and safety information go to: www.mswbike.com/safety.

COMPATIBILITY AND INTENDED USE

The MSW Universal Display Stand is adjustable and can be used with any style of bike from road bikes to fatbikes.

TOOLS REQUIRED

#2 Philips screwdriver

INCLUDED PARTS

2 base rails

2 wheel support arms

4 Philips-head bolts

ASSEMBLY

1. Position the wheel support arms over the holes in the base rails that most closely correspond to the width of the bike's tire (figure 1).

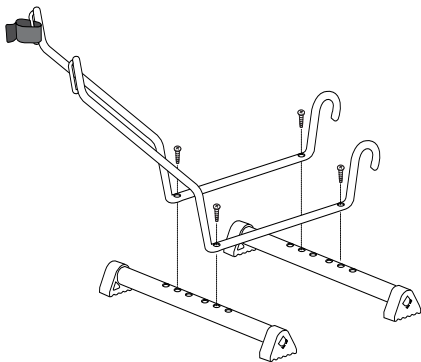


Figure 1

2. Secure the wheel support arms to the base rails with the supplied bolts (figure 2). Torque 6–7Nm.

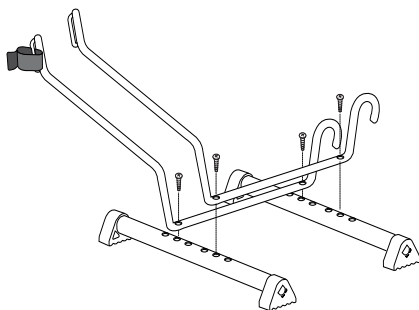


Figure 2

3. Secure the width of the support arms with the Velcro strap (figure 3).

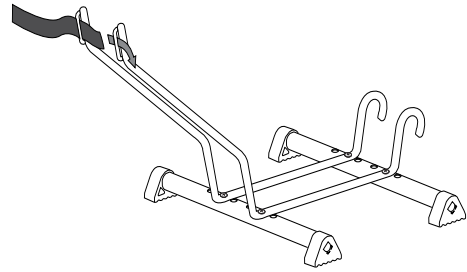


Figure 3

4. Once assembled, you may have to manually twist the rack slightly so it sits level on your floor (figure 4).

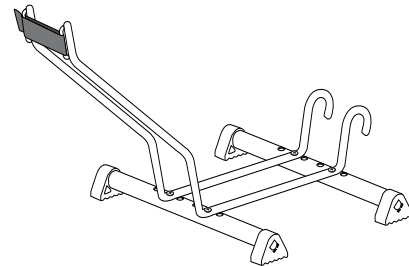


Figure 4

⚠ WARNING: Make sure the wheel support arms are positioned as narrowly as possible while still allowing you to easily move your bike into and out of the stand. If there is too much room between the tire and support arm, your bike could fall over causing injury, or damage to your bike or storage area.

ONGOING MAINTENANCE

Periodically check that all hardware is tight.

LIMITED 2-YEAR WARRANTY

MSW warrants this new MSW product against defects in materials and workmanship for two (2) years from the original date of retail purchase by the consumer. This limited warranty is expressly limited to the repair or replacement of the original product, at the option of MSW, and is the sole remedy of the warranty. This limited warranty applies only to the original purchaser of the MSW product and is not transferable.

In no event shall MSW be liable for any loss, inconvenience or damage, whether direct, incidental or consequential or otherwise resulting from breach of any express or implied warranty or condition of merchantability, fitness for a particular purpose, or otherwise with respect to this product except as set forth herein. This warranty gives the consumer specific legal rights, and those rights and other rights may vary from state to state.

This warranty does not cover the following:

- Damage due to improper assembly or follow-up maintenance or lack of skill, competence or experience of the end user
- Products that have been modified, neglected, used in competition or for commercial purposes, misused or abused, involved in accidents or anything other than normal use
- Damage or deterioration to the surface finish, aesthetics or appearance of the MSW product
- Normal wear and tear
- Labor required to remove and/or refit and re-adjust the product within the bicycle assembly
- Installation of components, parts, or accessories not originally intended use with or compatible with MSW products

TO THE EXTENT NOT PROHIBITED BY LAW, THESE WARRANTIES ARE EXCLUSIVE AND THERE ARE NO OTHER EXPRESS OR IMPLIED WARRANTIES OR CONDITIONS INCLUDING WARRANTIES OR CONDITIONS OF MERCHANTABILITY AND FITNESS FOR A PARTICULAR PURPOSE.

WARRANTY PROCESS

We will happily back up our products if there is a problem that is our fault. If you and your shop think your MSW product is worthy of a warranty inspection, please return the product to the original place of purchase, accompanied by a sales receipt.