

Thank you for your purchase! At MSW® we believe that having essential accessories makes a good bike ride great. We hope these lights keep you both visible and safe on the roads.

⚠ WARNING: CYCLING CAN BE DANGEROUS. BICYCLE PRODUCTS SHOULD BE INSTALLED AND SERVICED BY A PROFESSIONAL MECHANIC. NEVER MODIFY YOUR BICYCLE OR ACCESSORIES. READ AND FOLLOW ALL PRODUCT INSTRUCTIONS AND WARNINGS INCLUDING INFORMATION ON THE MANUFACTURER'S WEBSITE. INSPECT YOUR BICYCLE BEFORE EVERY RIDE. ALWAYS WEAR A HELMET.

Consult your local law enforcement for ordinances and laws that pertain to riding a bicycle at night. We strongly recommend using a front and rear light as well as wheel and pedal reflectors when riding at night. The best way to stay safe is to ride defensively.

For additional product and safety information go to: www.mswbike.com/safety.

COMPATIBILITY & INTENDED USE

The MSW WhiteBat and RedBat Light Set is designed to install on tubes that are between 19 and 32mm in diameter (WhiteBat headlight) and between 19 and 40mm (RedBat taillight). These lights are intended to help keep you visible to traffic while riding.

TOOLS REQUIRED

Flathead screwdriver or coin

INSTALLING THE BATTERIES

WHITEBAT HEADLIGHT

1. To install batteries slide battery cover to the rear of the light body (see figure 1).

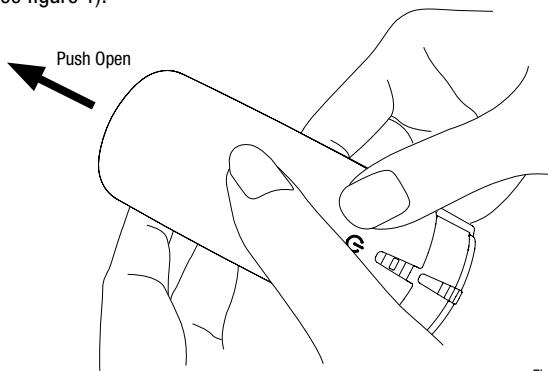


Figure 1

2. Insert two AA batteries according to the polarity marking on the case, then slide the battery cover and light body back together (see figure 2).

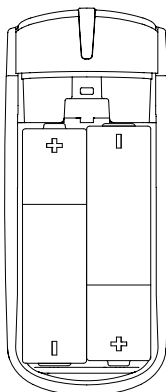


Figure 2

REDBAT TAILLIGHT

1. Place a coin into the slot on the side of your light body and separate the lens from the light body (see figure 3).

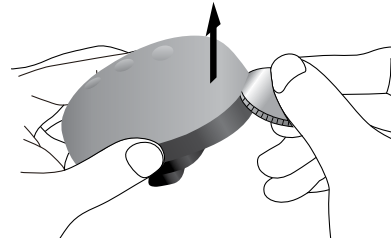


Figure 3

2. Insert two AAA batteries according to the polarity markings on the case and then press the two halves of the light body back together (see figure 4).



Figure 4

INSTALLING THE LIGHT BRACKET

WHITEBAT HEADLIGHT

1. Install the supplied mount onto your handlebar using the rubber hook and loop strap.
2. Install the light onto the mount by sliding the light until it clicks into place (see figure 5).

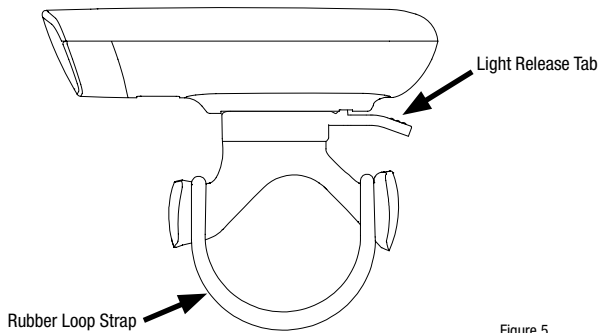


Figure 5

3. To remove light, press and hold the release tab as you slide the light away from the mounting bracket (see figure 5).

⚠ WARNING: Do not attempt to operate the controls of the light while riding.

REDBAT TAILLIGHT

1. Install the supplied mount onto your seatpost or seatstay using the included bracket.
2. Slide the light onto the mount until it clicks into place (see figure 6).

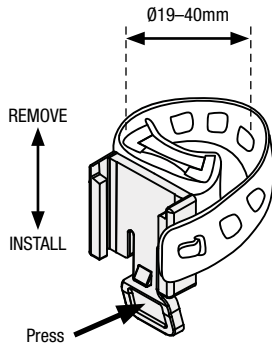


Figure 6

3. To remove the light, press and hold the tab at the rear of the mount while pulling the light upward (see figure 6).

⚠ WARNING: Do not attempt to operate the controls of the light while riding.

OPERATION

Press button once to turn on. Repeat to scroll through all functions and finally, off.

ONGOING MAINTENANCE

Periodically make sure your light is securely mounted and in working order with fresh batteries.

WhiteBat run time: 18 hrs (high beam), 30 hrs (low beam), 45 hrs (flashing).

RedBat run time: 70 hrs (steady), 160 hrs (flashing), 250 hrs (chasing), 250 hrs (random).

ONGOING MAINTENANCE

Periodically make sure your lights are securely mounted and in working order with fresh batteries.

WARRANTY PROCESS

We will happily back up our products. If you and your shop think your MSW product is worthy of a warranty inspection, please return the product to the original place of purchase, accompanied by a sales receipt.

For complete warranty information, visit www.mswbike.com/safety/warranty.