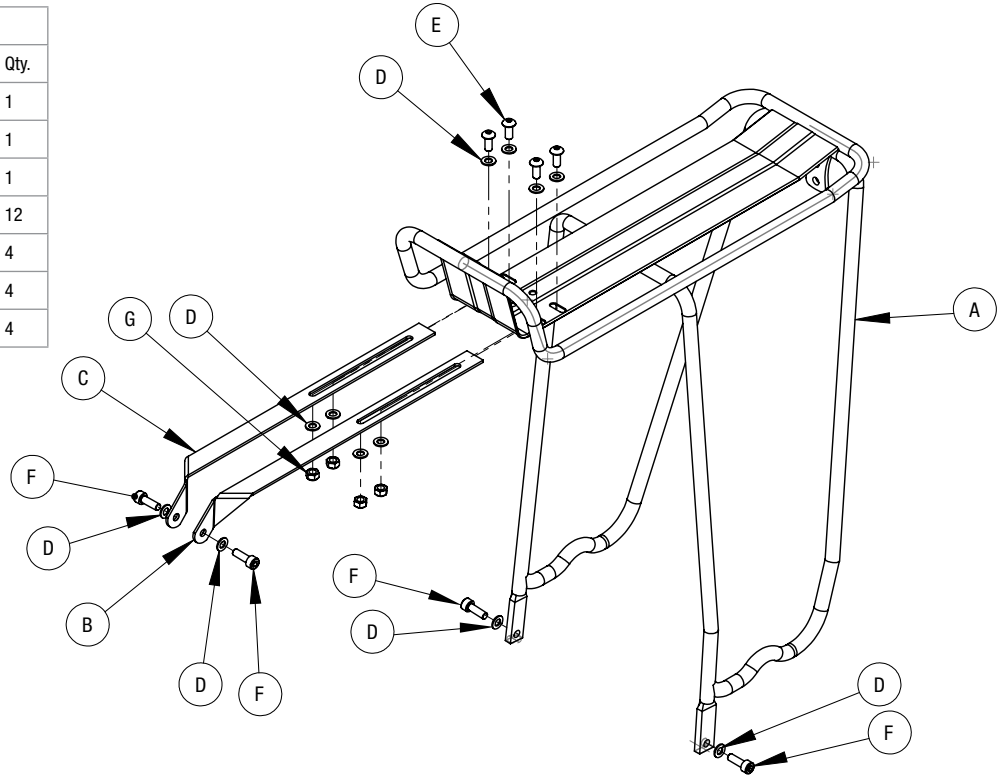


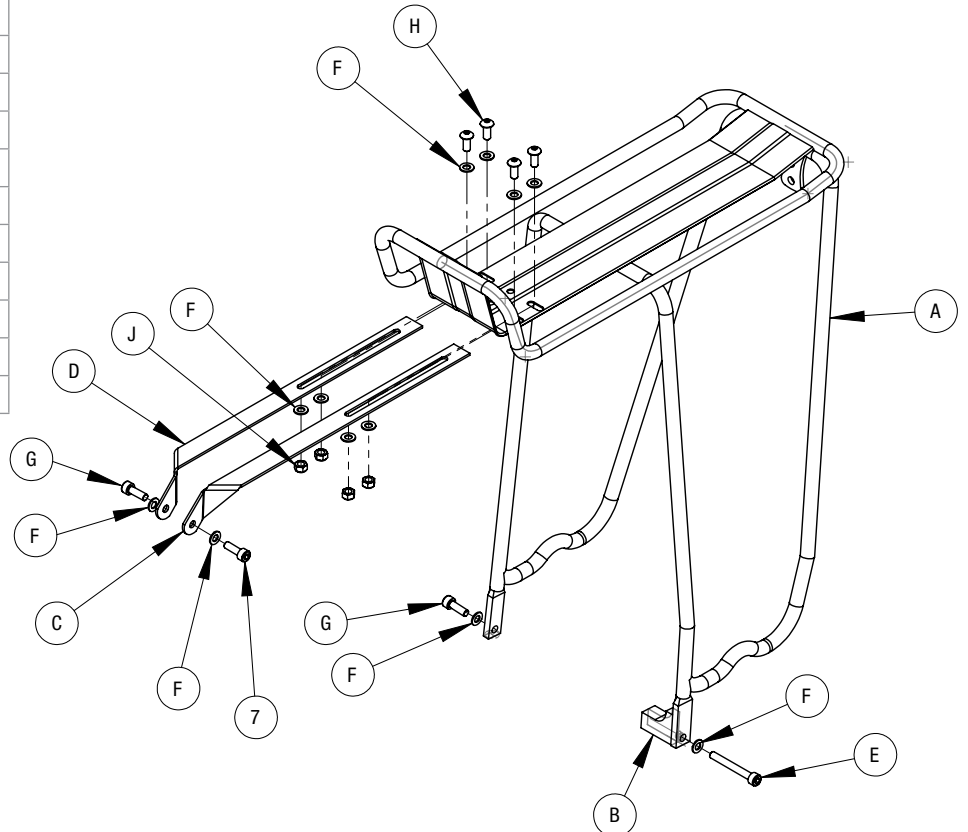
MSW RCR-100

Item No.	Description	Qty.
A	Rack Body	1
B	Mounting Bracket, non-driveside	1
C	Mounting Bracket, driveside	1
D	M5 Washer, stainless steel	12
E	M5 Button Head Bolt	4
F	M5 Socket Cap Bolt	4
G	Locking Nut	4



MSW RCR-100D

Item No.	Description	Qty.
A	Disc Rack	1
B	Integrated Disc Spacer	1
C	Mounting Bracket, non-driveside	1
D	Mounting Bracket, driveside	1
E	M5 x 40 mm Bolt	1
F	M5 Washer, stainless steel	12
G	M5 x 15 mm Cap Bolt	3
H	M5 x 12 mm Head Bolt	4
J	M5 Locking Nut	4



Thank you for your purchase! At MSW® we believe having essential accessories makes a good bike ride great—we hope you enjoy the increased cargo capacity and opportunities the MSW Pork Chop Light-Duty Rack can provide.

⚠ WARNING: CYCLING CAN BE DANGEROUS. BICYCLE PRODUCTS SHOULD BE INSTALLED AND SERVICED BY A PROFESSIONAL MECHANIC. NEVER MODIFY YOUR BICYCLE OR ACCESSORIES. READ AND FOLLOW ALL PRODUCT INSTRUCTIONS AND WARNINGS INCLUDING INFORMATION ON THE MANUFACTURER'S WEBSITE. INSPECT YOUR BICYCLE BEFORE EVERY RIDE. ALWAYS WEAR A HELMET.

For additional product and safety information go to: www.mswbike.com/safety.

COMPATIBILITY AND INTENDED USE

MSW racks are compatible with bicycle frames that have threaded mounting points at the rear axle, and can accept bolts on mounts near the seatpost that are already integrated into the frame design, or can safely accept rubber-coated clamps around the frame. **Carbon fiber frames are not compatible with MSW Racks. MSW Racks are intended for recreational riding, not aggressive or stunt riding.**

WHEEL SIZE COMPATIBILITY

MSW racks are compatible with a variety of different frame attachment configurations and have a max tire size of 700c x 38 mm. After you have installed your rack following the included instructions, it must have a minimum of 6 mm clearance above and around the wheel and tire for a proper fit.

⚠ WARNING: This rack is only designed and intended for use on the REAR of a standard bicycle. DO NOT ATTEMPT TO USE THIS RACK AS A FRONT RACK. Do not modify the rack or install it on any other types of vehicles.

⚠ WARNING:

- The maximum weight limit for the MSW RCR-100 and RCR100D is 40 lb
- Bicycle may behave differently (particularly steering and braking) when the rack is loaded
- Make sure to position reflectors and lamps securely so that they are not obscured when items are attached or loaded to the rack
- Make sure to evenly distribute loads on all sides of the rack
- MSW racks are not designed to carry live cargo

BICYCLE COMPATIBILITY

⚠ WARNING: Check with your bicycle's manufacturer to verify proper fit, mounting points, bicycle cargo load capacity, and compatibility for carrying cargo. Do not exceed the bicycle manufacturer permissible load.

TOOLS AND SUPPLIES

Torque wrench that measures in Nm

4 mm hex wrench

8 mm open-end wrench

INSTALLING THE RACK

FASTENER WARNING AND INSPECTION INSTRUCTIONS

Improper installation of bolts may lead to product failure, causing serious injury. Do not exceed specified torque values. Periodically inspect bolts and retighten if required.

1. Loosely attach rack to lower rack mounts on bicycle using appropriate bolts and washers as shown in product diagram on page 1 (fig. 1).



Figure 1

2. Loosely attach the rack mounting brackets to the rack using appropriate bolts and washers as shown in product diagram on page 1 (fig. 2).



Figure 2

3. Loosely attach the rack mounting brackets to the threaded upper mounts on bicycle or to rubber-coated clamps using two bolts and two washers (fig. 3).



Figure 3

4. Extend rack mounting brackets until platform of rack is parallel to the ground.
5. When the rack is level, tighten the bolts that secure the rack and mounting brackets directly to the bicycle frame, and all the hardware that attaches the mounting brackets to the rack to 4–5 Nm.

⚠ WARNING: Improper installation of bolts may lead to product failure, causing serious injury. Do not exceed specified torque values. Periodically inspect bolts and retighten if required.

ONGOING MAINTENANCE

Frequently check to make sure that all of the rack hardware is properly torqued per these instructions. Check to make sure that the rack mounting bolts are properly tightened and secure the rack to the bicycle frame. Periodically check for any signs of cracking or failure and discontinue use if rack is damaged.

LIMITED 2-YEAR WARRANTY

MSW warrants this new MSW product against defects in materials and workmanship for two (2) years from the original date of retail purchase by the consumer. This limited warranty is expressly limited to the repair or replacement of the original product, at the option of MSW, and is the sole remedy of the warranty. This limited warranty applies only to the original purchaser of the MSW product and is not transferable.

In no event shall MSW be liable for any loss, inconvenience or damage, whether direct, incidental or consequential or otherwise resulting from breach of any express or implied warranty or condition of merchantability, fitness for a particular purpose, or otherwise with respect to this product except as set forth herein. This warranty gives the consumer specific legal rights, and those rights and other rights may vary from state to state.

This warranty does not cover the following:

- Damage due to improper assembly or follow-up maintenance or lack of skill, competence or experience of the end user
- Products that have been modified, neglected, used in competition or for commercial purposes, misused or abused, involved in accidents or anything other than normal use
- Damage or deterioration to the surface finish, aesthetics or appearance of the MSW product
- Normal wear and tear
- Labor required to remove and/or refit and re-adjust the product within the bicycle assembly
- Installation of components, parts, or accessories not originally intended use with or compatible with MSW products

TO THE EXTENT NOT PROHIBITED BY LAW, THESE WARRANTIES ARE EXCLUSIVE AND THERE ARE NO OTHER EXPRESS OR IMPLIED WARRANTIES OR CONDITIONS INCLUDING WARRANTIES OR CONDITIONS OF MERCHANTABILITY AND FITNESS FOR A PARTICULAR PURPOSE.

WARRANTY PROCESS

If you and your shop think your MSW product is worthy of a warranty inspection, please return the product to the original place of purchase, accompanied by a sales receipt.

For complete warranty information, visit www.mswbike.com/safety/warranty.