

Thank you for your purchase! At MSW we believe that having essential accessories makes a good bike-ride great. We hope this light keeps you both visible and safe on the roads.

▲ WARNING: CYCLING CAN BE DANGEROUS. BICYCLE PRODUCTS SHOULD BE INSTALLED AND SERVICED BY A PROFESSIONAL MECHANIC. NEVER MODIFY YOUR BICYCLE OR ACCESSORIES. READ AND FOLLOW ALL PRODUCT INSTRUCTIONS AND WARNINGS INCLUDING INFORMATION ON THE MANUFACTURER'S WEBSITE. INSPECT YOUR BICYCLE BEFORE EVERY RIDE. ALWAYS WEAR A HELMET.

Consult your local law enforcement for ordinances and laws that pertain to riding a bicycle at night. We strongly recommend using a front and rear light as well as wheel and pedal reflectors when riding at night. The best way to stay safe is to ride defensively.

For additional product and safety information go to: www.mswbike.com/safety.

COMPATIBILITY & INTENDED USE

This headlight is designed to install on tubes that are between 19 and 32mm in diameter. It is intended to help keep you visible to traffic while riding.

INSTALLING THE BATTERIES

1. To install batteries slide battery cover to the rear of the light body (see figure 1).

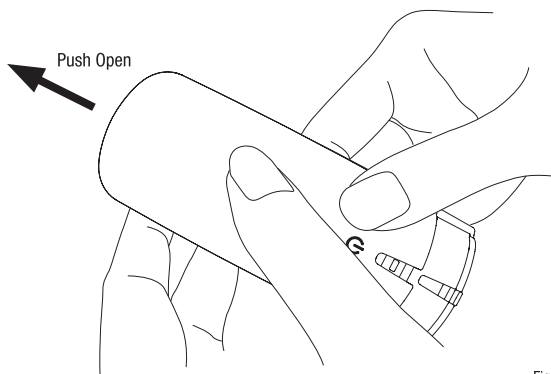


Figure 1

2. Insert two AA batteries according to the polarity marking on the case, then slide the battery cover and light body back together (see figure 2).

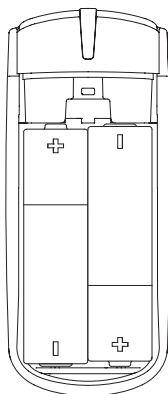


Figure 2

INSTALLING THE LIGHT BRACKET

1. Install the supplied mount onto your handlebar using the rubber hook and loop strap.
2. Install the light onto the mount by sliding the light until it clicks into place (see figure 3).

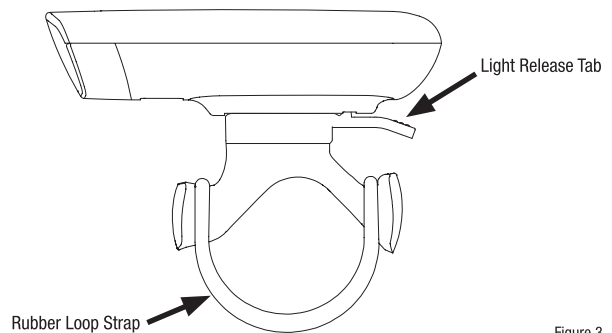


Figure 3

3. To remove light, press and hold the release tab as you slide the light away from the mounting bracket (see figure 3).

▲ WARNING: Do not attempt to operate the controls of the light while riding.

OPERATION

Press button once to turn on. Repeat to scroll through all three functions; high, low, flashing, and finally, off.

ONGOING MAINTENANCE

Periodically make sure your light is securely mounted and in working order with fresh batteries.

Run time: 18 hrs (high beam), 30 hrs (low beam), 45 hrs (flashing).

WARRANTY PROCESS

If you and your shop think your MSW product is worthy of a warranty inspection, please return the product to the original place of purchase, accompanied by a sales receipt.

For complete warranty information, visit www.mswbike.com/safety/warranty.