

**Thank you for your purchase!** At MSW® we believe that having essential accessories makes a good bike ride great.

**⚠ WARNING:** Cycling can be dangerous. Bicycle products should be installed and serviced by a professional mechanic. Never modify your bicycle or accessories. Read and follow all product instructions and warnings including information on the manufacturer’s website. Inspect your bicycle before every ride. Always wear a helmet.

**⚠ WARNING:** Pinch point. Keep hands clear during operation.

For additional product and safety information go to: [www.mswbike.com/safety](http://www.mswbike.com/safety).

**COMPATIBILITY**

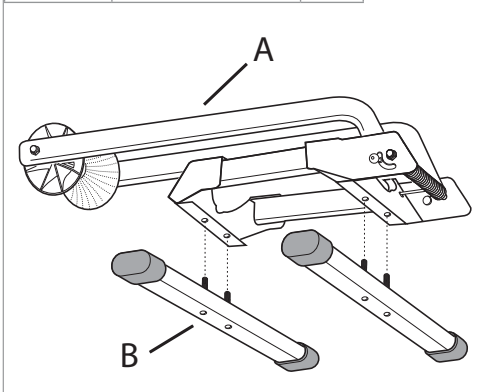
Adult bicycles with 1 to 5” wide tires.

**TOOLS REQUIRED**

Phillips head screwdriver

**INCLUDED PARTS**

Item Ref.	Part	Qty.
A	Wheel Upright	1
B	Base Legs	2



**ASSEMBLY INSTRUCTIONS**

1. Attach wheel upright to base legs. Use a screwdriver to secure the pre-installed screws.
2. Be sure wheel upright is attached securely.
3. Pivot wheel upright to desired position.

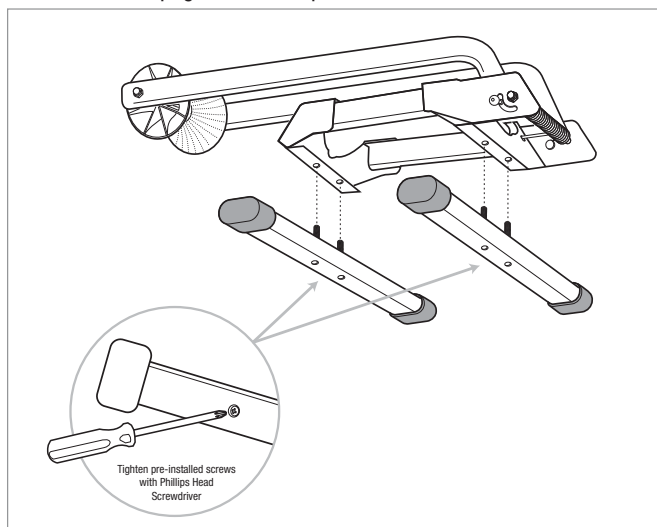


Figure 1

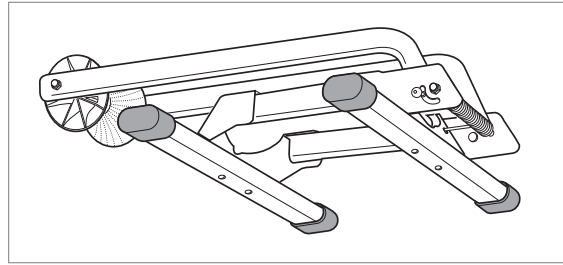


Figure 2

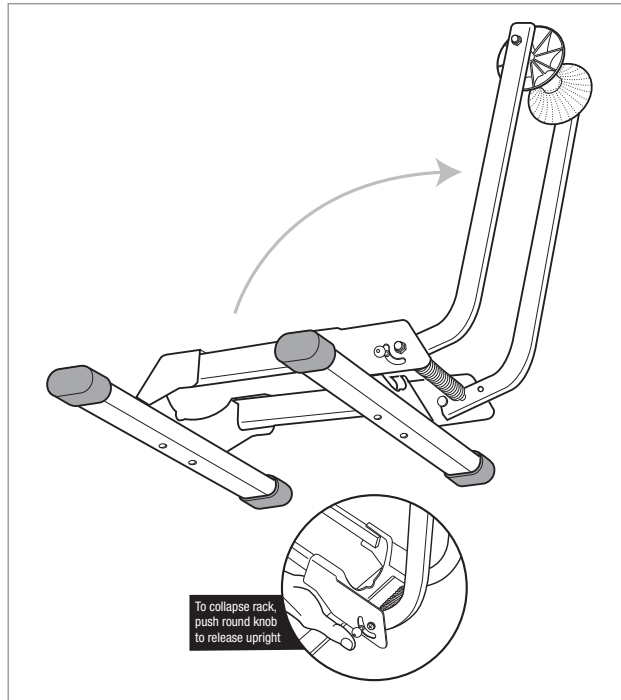


Figure 3

**ONGOING MAINTENANCE**

Occasionally check the included screws for tightness.

**WARRANTY PROCESS**

If you and your shop think your MSW product is worthy of a warranty inspection, please return the product to the original place of purchase, accompanied by a sales receipt.

For complete warranty information, visit [www.mswbike.com/safety/warranty](http://www.mswbike.com/safety/warranty).