

Thank you for purchasing this all-in-one Seltzer CO₂ and Bottle Cage Holder. This is a simple, minimal way to store your H₂O and CO₂ to keep your hydration accessible and your gas supply within easy reach.

▲ WARNING: Cycling can be dangerous. Bicycle products should be installed and serviced by a professional mechanic. Never modify your bicycle or accessories. Read and follow all product instructions and warnings including information on the manufacturer’s website. Inspect your bicycle before every ride. Always wear a helmet.

▲ WARNING: Improper installation of bolts may lead to product failure, causing serious injury. Do not exceed specified torque values. Periodically inspect bolts and retighten if required.

For additional product and safety information go to: www.mswbike.com/safety.

INTENDED USE



ASTM CONDITION 2

This is a set of conditions for the operation of a bicycle that includes Condition 1 as well as unpaved and gravel roads and trails with moderate grades. In this set of conditions, contact with irregular terrain and loss of tire contact with the ground may occur. Drops are intended to be limited to 15cm (6”) or less.

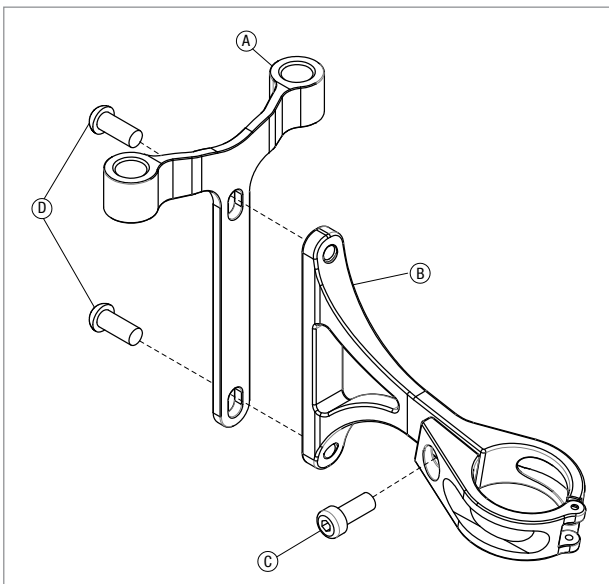
COMPATIBILITY

The Seltzer comes in two sizes to clamp on to either 27.2 or 31.6mm seatposts, and accepts any standard water bottle cage. The CO₂ mount fits any standard water bottle cage frame mounts and accepts standard 3/8” threaded CO₂ cartridges up to 25g.

REQUIRED TOOLS

- 3mm Hex Wrench
- 4mm Hex Wrench

INCLUDED PARTS



Item No.	Description	Qty.
A	Seltzer CO ₂ Mount	1
B	Seltzer Bottle Cage Mount	1
C	M5 x 12mm Socket Cap Screw	1
D	M5 x 12mm Button Head Screw	2

INSTALLATION

- To attach the Seltzer Bottle Cage Holder to the seatpost, remove the M5 x 12mm socket cap screw from the hinge clamp and place around the seatpost. Reinstall the screw and tighten to 3Nm (Fig. 1)



Figure 1

- To attach a water bottle cage to the Seltzer, remove the two M5 x 12mm button cap screws, add your water bottle cage, and reinstall the screws through the holes in the cage and Seltzer CO₂ holder. Tighten to 2Nm
- To use the Seltzer CO₂ holder separately from the Seltzer Bottle Cage Holder, attach to any water bottle cage-spaced frame mounts and tighten to 2Nm (Figs. 2–3)



Figure 2



Figure 3

- Ride with your favorite H₂O and CO₂!



Figure 4



MAINTENANCE & REPAIR

Periodically check and retighten the M5 socket cap and button head screws as necessary.

LIMITED 2-YEAR WARRANTY

MSW warrants this new MSW product against defects in materials and workmanship for two (2) years from the original date of retail purchase by the consumer. This limited warranty is expressly limited to the repair or replacement of the original product, at the option of MSW, and is the sole remedy of the warranty. This limited warranty applies only to the original purchaser of the MSW product and is not transferable.

In no event shall MSW be liable for any loss, inconvenience or damage, whether direct, incidental or consequential or otherwise resulting from breach of any express or implied warranty or condition of merchantability, fitness for a particular purpose, or otherwise with respect to this product except as set forth herein. This warranty gives the consumer specific legal rights, and those rights and other rights may vary from state to state.

This warranty does not cover the following:

- Damage due to improper assembly or follow-up maintenance or lack of skill, competence or experience of the end user
- Products that have been modified, neglected, used in competition or for commercial purposes, misused or abused, involved in accidents or anything other than normal use
- Damage or deterioration to the surface finish, aesthetics or appearance of the MSW product
- Normal wear and tear
- Labor required to remove and/or refit and re-adjust the product within the bicycle assembly
- Installation of components, parts, or accessories not originally intended use with or compatible with MSW products

TO THE EXTENT NOT PROHIBITED BY LAW, THESE WARRANTIES ARE EXCLUSIVE AND THERE ARE NO OTHER EXPRESS OR IMPLIED WARRANTIES OR CONDITIONS INCLUDING WARRANTIES OR CONDITIONS OF MERCHANTABILITY AND FITNESS FOR A PARTICULAR PURPOSE.

WARRANTY PROCESS

If you and your shop think your MSW product is worthy of a warranty inspection, please return the product to the original place of purchase, accompanied by a sales receipt.

For complete warranty information, visit www.mswbike.com/safety/warranty.